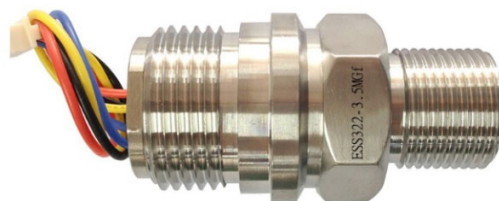


ESS322 All Welded OEM Piezoresistive Pressure Sensor



Range: 0~100MPa ■ Overload Pressure: 150%~300% ■ Accuracy: 0.1%/FS ■ All Welded OEM Pressure Sensor

Description

ESS322 Series OEM Pressure Sensor uses a high-sensitivity piezoresistive silicon die as sensing component, which is protected against ambient influences by SS316 housing sealed with a concentrically corrugated diaphragm. Inside the housing, the filled silicone oil assures the measured pressure can be transmitted onto silicon die and then transform the pressure to electric signal.

ESS322 All Welded Series OEM Pressure Sensor is available all pressure ranges from -100kpa to 100MPa.

Key Features & Benefits

- Pressure range -100kpa~100MPa
- Gauge, Differential, Absolute, Sealed gauge
- Constant Current/Voltage power supply
- Isolated construction, measure various media
- Welded OEM Pressure Sensor
- Full Stainless Steel 316
- Wide temperature compensation -10°C~80°C
- Long-term stability ±0.1%FS/year

Application

- Industrial process control
- Level measurement
- Gas, liquid pressure measurement
- Pressure checking meter
- Pressure calibrator
- Liquid pressure system and switch
- Cooling equipment & A/C system
- Aviation and navigation inspection
- Pneumatics and hydraulics systems

Standard Range

Range	Overload	Output/F.S (mV)	Typical Value(mV)	Pressure Type
0~10KPa	300%	35~60	45	G
0~20KPa	300%	70~110	90	G/A
0~35KPa	300%	55~80	70	G/A/D
0~70KPa	300%	55~80	60	G/A/D
0~100KPa	300%	60~85	75	G/A/D
0~200KPa	300%	60~85	75	G/A/D
0~400KPa	300%	60~80	70	G/A/D
0~600KPa	200%	90~120	100	G/A/D
0~1.0 MPa	200%	125~185	150	G/A/D

Technical Parameters

Parameters	Typ.	Max.	Unit
Nonlinearity	0.2	0.5	%FS
Hysteresis	0.05	0.1	%FS
Repeatability	0.05	0.1	%FS
Zero Output	±1	±2	mV DC
FS Output	100		mV DC
Input/ Output Impedance	2.6	3.8	k Ω
Zero Temp. Drift*	±0.15	±0.8	%FS, @25°C
Sensitivity Temp. Drift*	±0.2	±0.7	%FS, @25°C
Long-term Stability	0.1		%FS/year

ESS322 GID-3-EV03

0~1.6 MPa	200%	80~120	100	G/A/D
0~2.0 MPa	200%	50~70	60	G/A/D
0~3.5 MPa	200%	100~120	110	G/A/D
0~7.0 MPa	200%	120~150	135	G/A
0~10 MPa	200%	180~230	200	G/A
0~25 MPa	150%	140~170	150	S
0~40 MPa	150%	230~280	250	S
0~60 MPa	150%	100~160	130	S
0~100 MPa	150%	100~150	120	S

Notes: G for Gauge pressure; A for Absolute pressure; D for Differential pressure; S for Sealed gauge.

Range -100kPa~100MPa
 *The typical value of 0~10kPa and 0~20kPa's zero temperature drift and sensitivity temperature drift is 0.4%FS@25°C, max value is 1.6%FS@25°C



Construction Performance

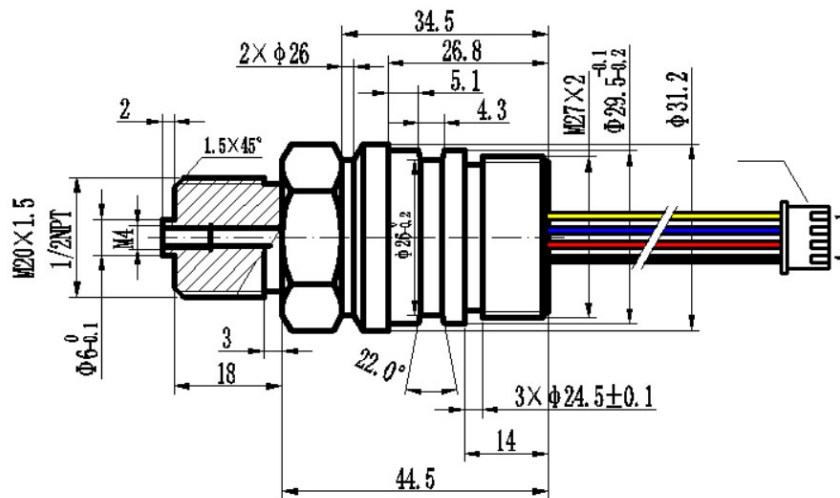
- Diaphragm:** Stainless Steel 316L
- Housing:** Stainless Steel 316L
- Pressure leading tube:** Stainless Steel 316L
- O Ring:** Φ16*1.8mm (nitrile rubber or viton)
- Measuring Medium:** Which is compatible with SS316L, viton, nitrile rubber
- Packing Medium:** Silicon Oil
- Net weight:** 180g

Electric & Environment Performance

- Power supply:** 1.5mA/5V(optional) (Max input voltage is 10VDC)
- Insulation Resistance:** 500M @500VDC
- Overpressure:** 1.5~3 times FS
- Vibration (20~500Hz):** 20G
- Useful Time (25°C):** >1*100 Million Times @Pressure Circulation(80%FS)
- Response Time:** ≤1ms
- Storage Temp.:** -40~+125°C
- Operating Temp.:** -40~+85°C
- Compensation Temp.:** 0~50°C; -10~80°C @ 0 ~ 70 (7kPa,20 kPa,35 kPa)

Drawing

ESS322 All Welded Piezoresistive OEM Sensor Range: -100kpa~100Mpa



Ordering Procedure

ESS3	High Stable OEM Piezoresistive Sensor						
	Code	Model					
	22	Welded Piezoresistive Pressure Sensor					
	23	Welded Flush Diaphragm Piezoresistive Sensor					
		Cod	Span	Code	Span	Code	Span
		R01	0~10KPa	R07	0~400KPa	R13	0~7.0 MPa
		R02	0~20KPa	R08	0~600KPa	R14	0~10 MPa
		R03	0~35KPa	R09	0~1.0 MPa	R15	0~25 MPa
		R04	0~70KPa	R10	0~1.6 MPa	R16	0~40 MPa
		R05	0~100KPa	R11	0~2.0 MPa	R17	0~60 MPa
		R06	0~200KPa	R12	0~3.5 MPa	R18	0~100 MPa
		Code	Pressure Type				
		G	Gauge				
		D	Differential				
		A	Absolute				
		S	Sealed Gauge				
		Code	Power Supply				
		M	1.5mA				
		V	5V				
		Code	Pressure connection				
		0	O-ring -NBR				
		1	O-ring -Viton				
		Code	Electric connection				
		1	Kovar pin				
		2	Rubber flexible silicon wires (10cm)				
ESS3	22	R10	G	M	0	2	

Note: ❶ Extremely attention must be paid to sensor installation process to avoid any miss conduction that affect the sensor performance, ❷ please protect the diaphragm and the compensated board carefully to prevent any damage. ❸ Please contact us if your requested working temperature lower than -20°C