

ESG503 Stainless Steel Pressure Gauge

- ✓ Pressure Type: Low/Medium Pressure Gauge
- ✓ Working Principle: Bourdon Tube (Mechanical)
- ✓ Connection type: Bottom/Back mount
- ✓ Display: Pointer
- ✓ Diameter: 40/50/60/63/100/150/200/250mm
- ✓ Range:-0.1~0~100MPa
- ✓ Accuracy: 1.0%/1.5%/2.5%F.S
- ✓ OEM: Available

Applications

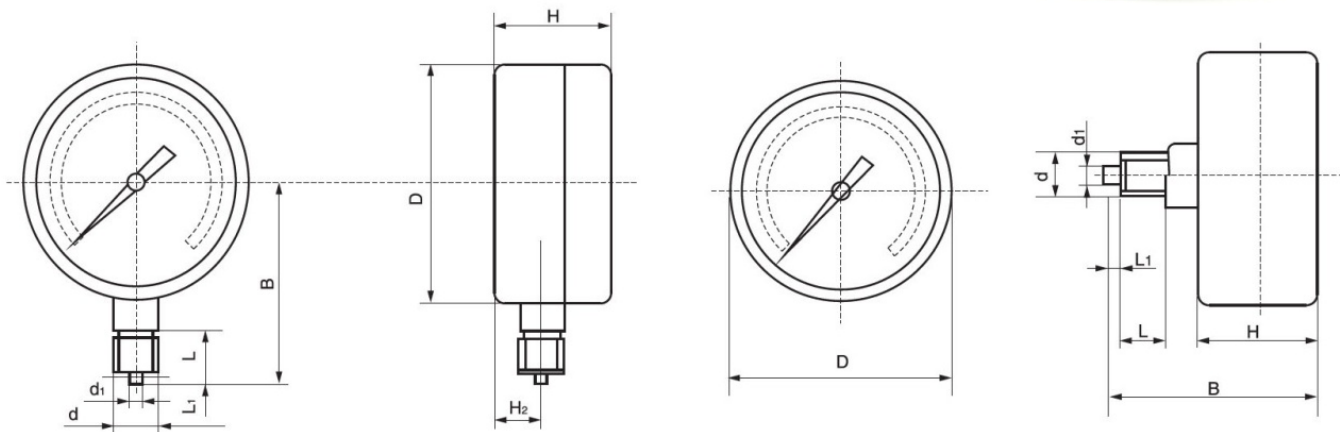
Metallurgical industry| Chemical fibre industry | Oil industry | Chemical industry

Product Introduction

ESG503 line Stainless Steel Pressure Gauge is widely used in oil industry, chemical industry, chemical fibre industry, metallurgical industry, power station and so on. It can measure the pressure of all kinds of liquid medium in technological process which has higher requirement of corrosion-proof and anti-vibration

ESG503 has excellent structure design and exquisite craft with character of high accuracy and sustained stability.

Specification and Drawing



Diameter	D	d	d 1	L	B	H	H2	L1
40	Φ40	M10x1	Φ2.5	10	38	24	8.5	2
40Z	Φ40	M10x1	Φ2.5	10	40	24	0	
60	Φ60	M14x1.5 or M10x1	Φ5	14	56	30	12	
60Z	Φ60	M14x1.5 or M10x1	Φ5	14	58	30	0	
100	Φ100	M20x1.5	Φ6	20	90	44	18	
100Z	Φ100	M20x1.5	Φ6	20	85	44	30	
150	Φ150	M20x1.5	Φ6	20	115	48	18	
150Z	Φ150	M20x1.5	Φ6	20	92	47	20	
200	Φ200	M20x1.5	Φ6	20	146	50	18	
250	Φ200	M20x1.5	Φ6	20	167	50	18	

Specification and Ordering Procedure

Diameter	40/50/60/63/100/150/200/250mm	Casing	Stainless Steel				
Measuring Range	-0.1~0~100Mpa	Movement					
Pressure Unit	Mpa/psi/bar/kg/cm2	Bourdon Tube					
Accuracy	± 1.0%/± 1.5%/± 2.5%	Connector					
Mounting Type	Bottom/Back/ (with flange)	Thread	M20*1.5/ G1/2 NPT1/2 / G1/4 / NPT1/4				
Oil filed	Silicone oil / Glycerin filed	Shock Resistance	V.H.4				
Ingress Protection	IP65	Temperature	5~55°C (Glycerin filled); -25~55°C (Silicone oil filled)				
Additional error when temperature changes from reference temperature of 68°F (20°C) +0.4% of span for every 18°F(10°C) rising or falling.							
ESG	Economical Pressure Gauge						
	Code	Model					
	503	Bottom/ Radial direction mounting					
	503 Z	Back side mounting					
	Code	Span					
	1	-0.1~0Mpa					
	2	-0.1~2.4Mpa					
	3	0~100Mpa					
	Code	Diameter					
	40	40mm / 1.5inch					
	50	50mm / 1.97 inch					
	60	60mm / 2.36 inch					
	63	63mm / 2.48inch					
	100	100mm / 3.94inch					
	150	150mm / 5.9 inch					
	200	200mm / 7.87 inch					
	250	250mm / 9.84 inch					
	Code	Accuracy					
	10	± 1.0%					
	15	± 1.5%					
	25	± 2.5%					
	Code	Process connection					
	M 20	M20 x 1.5					
	M10	M10 x 1					
	G 12	G1/2					
	G14	G1/4					
	G18	G1/8					
	N12	NPT1/2					
	N14	NPT1/4					
	N18	NPT1/8					
	Code	Oil filled					
	S	Silicone oil					
	G	Glycerine					
	D	Dry					
	Code	Measuring unit					
	M	Mpa					
	P	psi					
	B	bar					
	K	kg/cm2					
ESG	503	1	63	15	M20	S	M